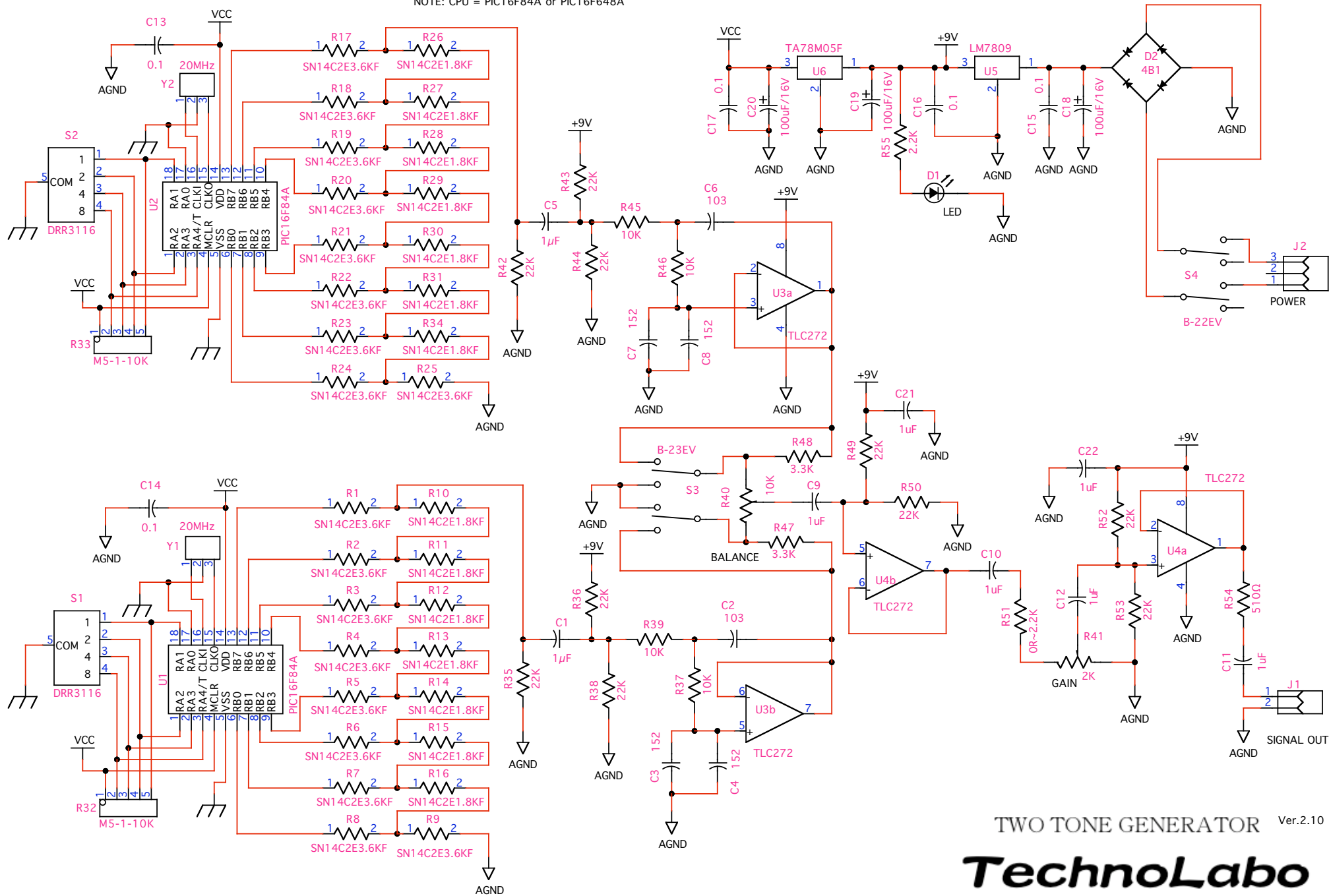


NOTE: CPU = PIC16F84A or PIC16F648A



TWO TONE GENERATOR Ver.2.10

**TechnoLabo**