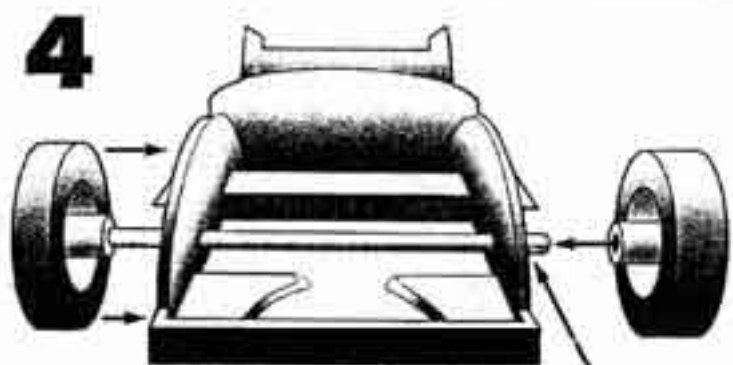
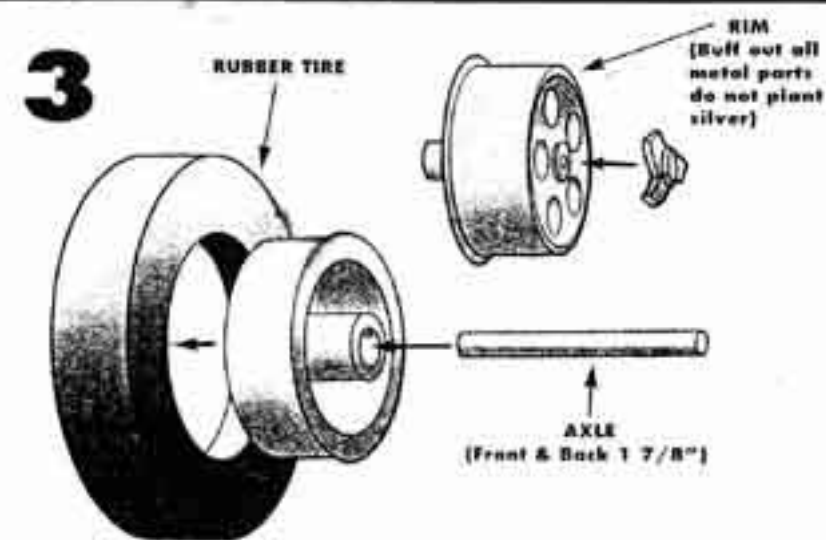
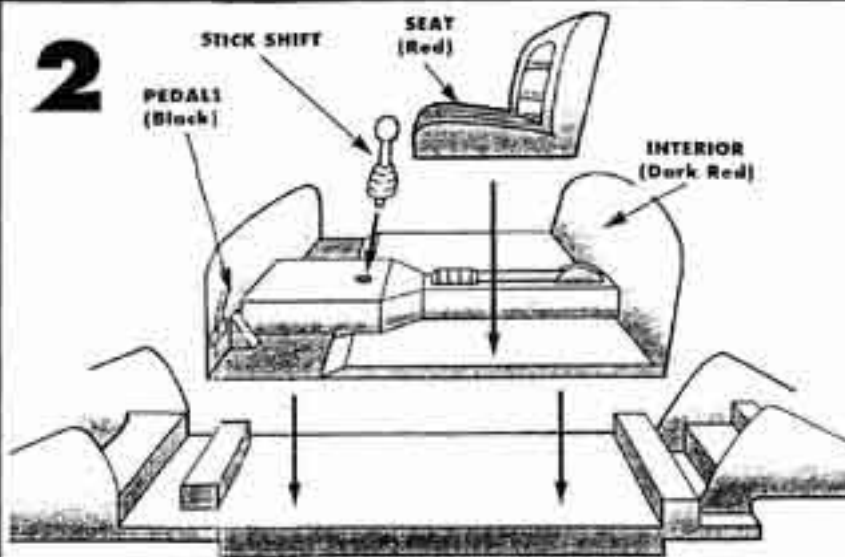
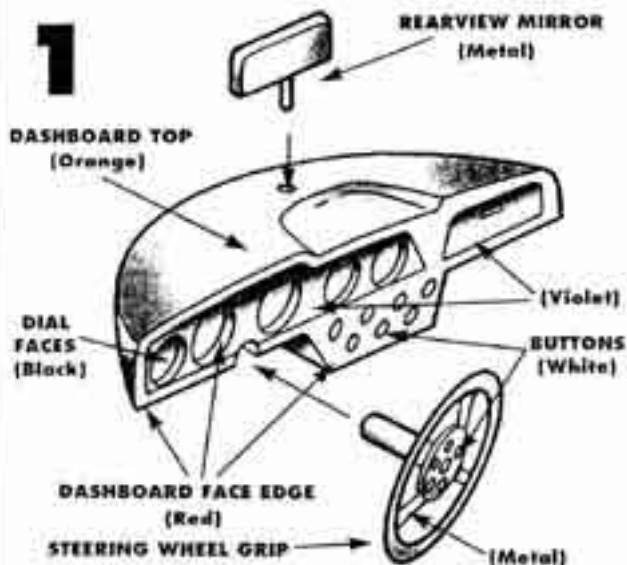


# SPEED RACER™

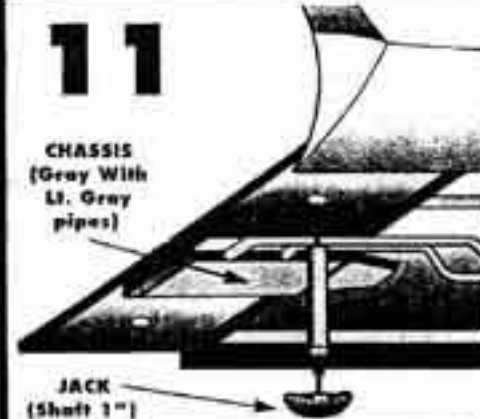
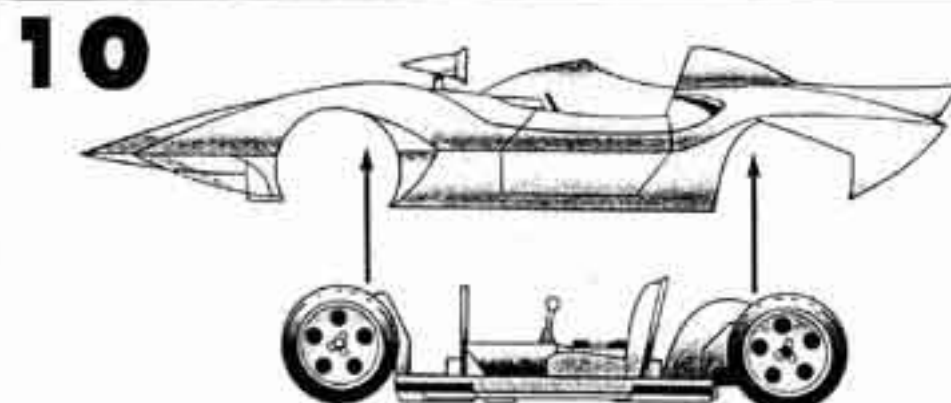
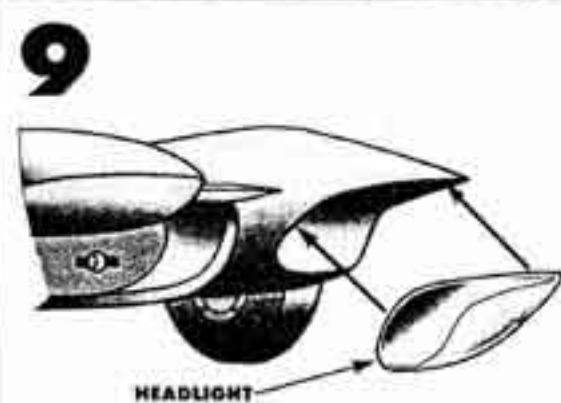
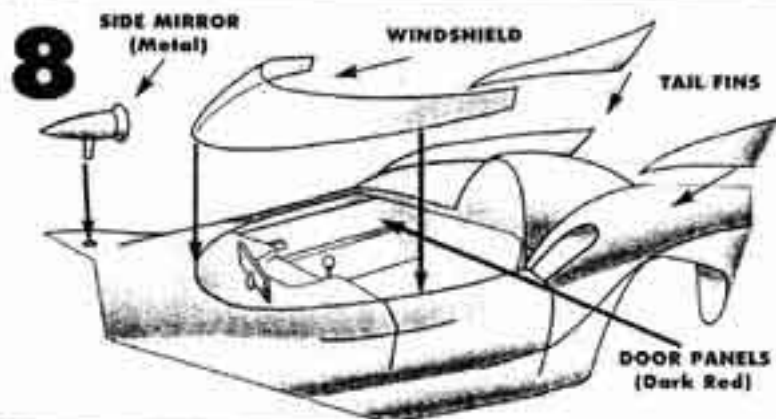
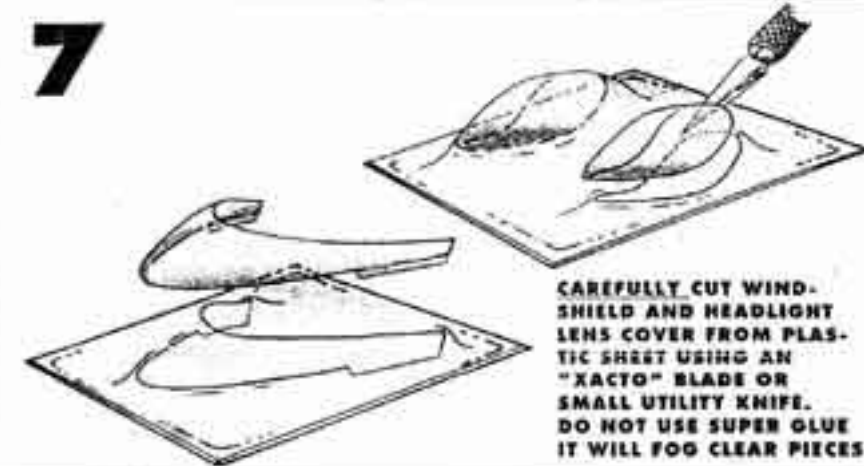
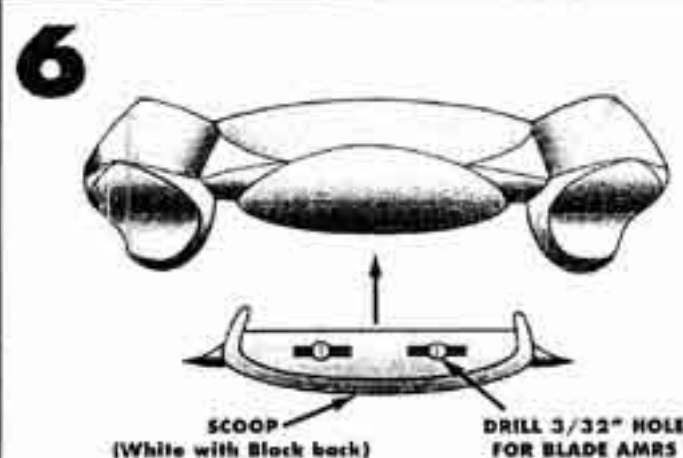
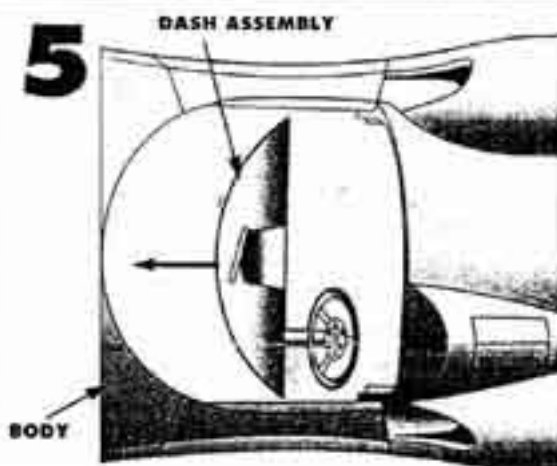
## MACH V

### Model Kit Instructions

Please read special instructions before assembling this resin kit!



DRILL 3/32" HOLES FRONT AND BACK TO ALLOW AXLES TO PENETRATE CHASSIS BODY.



Produced & Fabricated  
**STREAMLINE(3D)**  
Model Kevin Pogue  
Project Supervisor &  
Detailing AL ZEQUEIRA

©1992 Speed Racer Enterprises, Inc.  
Speed Racer is a trademark of Speed Racer Enterprises, Inc. and is used under license.

Streamline  
Pictures

